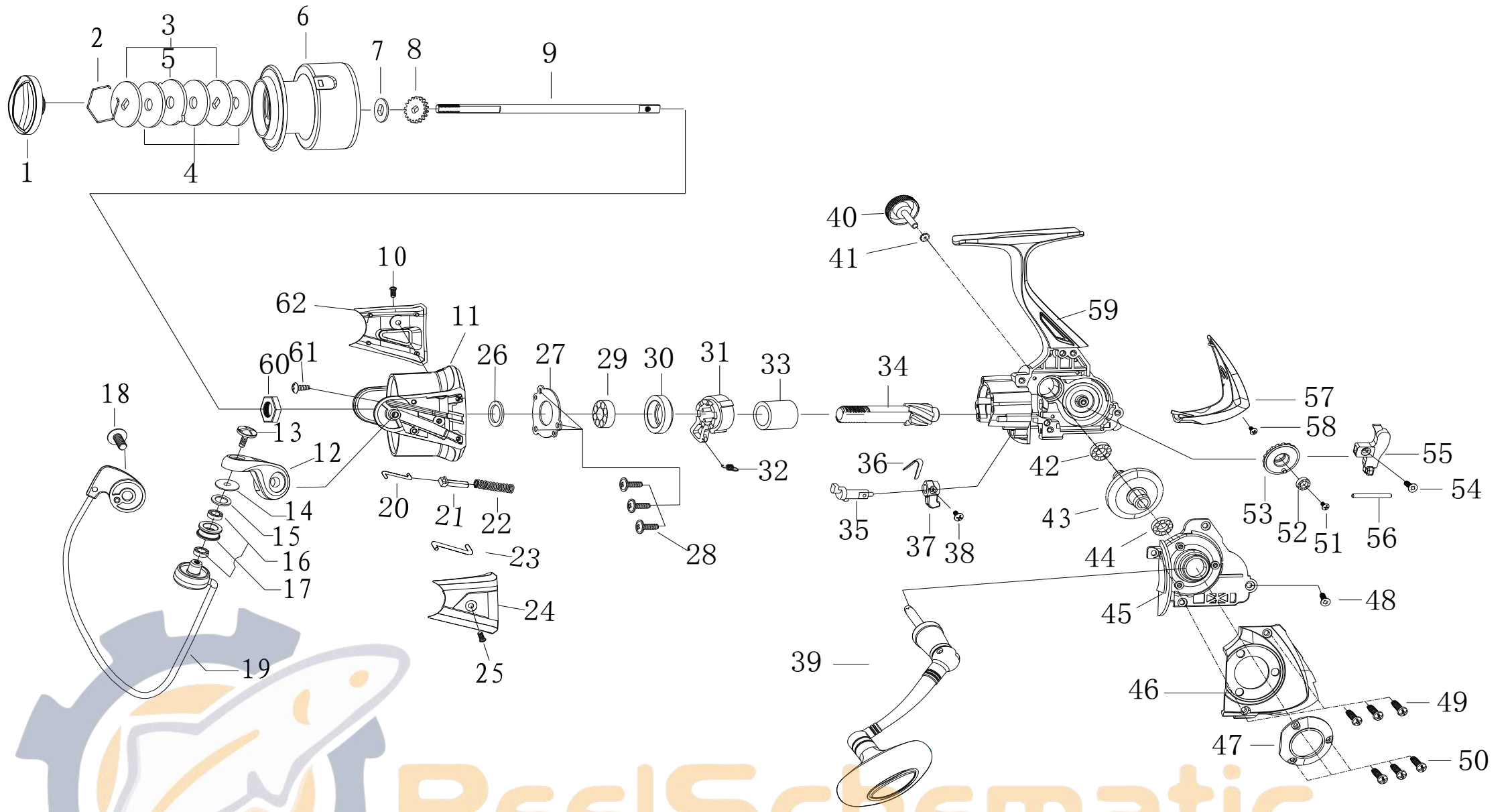


QUANTUM[®]

Alloy AL20F



Quantum AL20F Spinning Reel Part List

Key #	Description	Part	Qty	Key #	Description	Part	Qty
1	DRAG KNOB ASSEMBLY	PAD332-01	1	32	CLUTCH SPRING		1
2	DRAG RETAINER		1	33	CLUTCH SLEEVE		1
3	WASHER - KEYED		2	34	PINION GEAR		1
4	WASHER - FRICTION		3	35	ANTI-REVERSE ACTUATOR		1
5	WASHER - EAR		1	36	ANTI-REVERSE LEVER SPRING		1
6	SPOOL ASSEMBLY	PAD321-01	1	37	ANTI-REVERSE SWITCH		1
7	CLICKER GEAR WASHER	TG039-01	1	38	SCREW - ANTI-REVERSE SWITCH		1
8	CLICKER GEAR	TG037-01	1	39	HANDLE ASSEMBLY	PAD318-01	1
9	MAIN SHAFT		1	40	HANDLE SCREW CAP	PAD054-01	1
10	SCREW - ROTOR SIDECOVER		1	41	WASHER - HANDLE SCREW CAP		1
11	ROTOR		1	42	BALL BEARING - DRIVE GEAR BODY		1
12	ARM LEVER	PAD007-01	1	43	DRIVE GEAR		1
13	SCREW - LINE ROLLER	BU108-01	1	44	BALL BEARING - DRIVE GEAR SIDECOVER		1
14	WASHER - LINE ROLLER	PAD102-01	1	45	SIDECOVER		1
15	COLLAR - LINE ROLLER	DQ102-01	1	46	SIDECOVER CAP		1
16	BALL BEARING - LINE ROLLER	CT157-01	2	47	SIDECOVER TRIM		1
17	LINE ROLLER	PAD004-01	1	48	SCREW - SIDECOVER		1
18	SCREW - BAIL ASSEMBLY		1	49	SCREW - SIDECOVER CAP		3
19	BAIL ASSEMBLY	PAD347-01	1	50	SCREW - SIDECOVER TRIM		3
20	BAIL TRIP LINK		1	51	SCREW - O/S GEAR		1
21	BAIL ACTUATOR		1	52	BALL BEARING - O/S GEAR		1
22	BAIL SPRING	TG117-01	1	53	O/S GEAR		1
23	KICK LEVER	PAD019-01	1	54	SCREW - O/S SLIDER		1
24	ROTOR SIDECOVER		1	55	O/S SLIDER		1
25	SCREW - ROTOR SIDECOVER		1	56	O/S SLIDER POST		1
26	WASHER		1	57	REAR CAP		1
27	CLUTCH RETAINER		1	58	SCREW - REAR CAP		1
28	SCREW		3	59	BODY		1
29	BALL BEARING - PINION GEAR		1	60	ROTOR NUT		1
30	BALL BEARING HOLDER		1	61	SCREW - ROTOR NUT		1
31	ONE WAY CLUTCH	TG063-01	1	62	ROTOR SIDECOVER		1